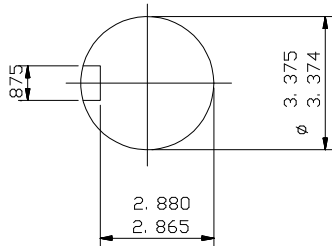
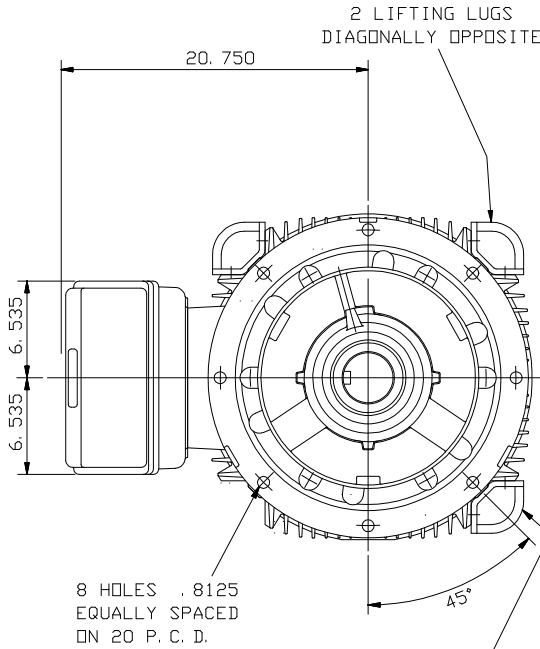


CABLE ENTRY  
SCREWED 3" N. P. T.



ENLARGED VIEW OF  
SHAFT EXTENSION  
(SCALE 1:2)



2 LIFTING LUGS  
DIAGONALLY OPPOSITE

THIS LIFTING LUG FITTED  
ONLY WHEN MOTOR IS  
VERTICALLY MOUNTED.

NOTE: -  
CABLE ENTRY CAN BE SUPPLIED IN  
ANY ONE OF FOUR POSITIONS AT  
90° INTERVALS.

NOTE: -  
STANDARD MACHINES ARE ARRANGED FOR HORIZONTAL OVERHUNG MOUNTING.  
CUSTOMERS SHOULD NOTIFY US WHEN ORDERING IF VERTICAL MOUNTING  
IS REQUIRED. IF VERTICAL, THE MOTOR THRUST BEARING MUST NOT BE  
ALLOWED TO TAKE ANY LOAD OTHER THAN THE WEIGHT OF THE ROTOR  
WITHOUT OUR APPROVAL.

CUSTOMER			
ORDER No.			
SERIAL No.			
FRAME SIZE			
HP		RPM.	
Hz		PHASE	3
VOLTS		POLES	
BRGS.		DE.	NDE.
MOTOR NETT. WT.			Kg.
INSULATION CLASS			
TEMPERATURE RISE °C			
DESIGN AMBIENT TEMPERATURE °C			
HEATER WATTS & VOLTS		WATTS,	VOLTS

REMARKS

**BROOK CROMPTON**  
PRELIMINARY

Large Industrial Motors  
Guiseley, LEEDS LS20 9NZ

ALL DIMENSIONS IN INCHES

THIRD ANGLE  
PROJECTION

**BROOK CROMPTON**

Large Industrial Motors  
GUISELEY, LEEDS, LS20 9NZ.

NOTE 1  
\* ENDPLAY WILL BE PROVIDED FOR ENDTHRUST PROTECTION WHEN CUSTOMERS NOTIFY US OF THEIR INTENTION TO USE RIGID COUPLINGS AND DRIVEN MACHINES WITHOUT ENDPLAY.

OUTLINE DIMENSIONS OF STANDARD D FLANGE MOUNTED INCH A. C. MOTOR TO NEMA STD. MG1. TOTALLY ENCLOSED FAN COOLED. FITTED WITH SIDE MOUNTED TERMINAL BOX  
FRAME SIZE :- W-DF445T-N < 4 POLE UP>

SCALE	1:8	DATE
DRAWN	B. J. T.	14.2.94
CHECKED	B. J. T.	14.2.94
APPROVED	I. J. W.	14.2.94

DRG. No.	M9536	
REVISION:		DATE